

ThermicRoll®

When High Speed, Aesthetics, and Security matter.

Certified Service



SERVICE
CUSTOMERS
ENTER HERE

SERVICE
ENTRANCE
PLEASE PULL IN



HIGH
SPEED
DOORS

ThermicRoll®

The insulated, high speed rigid door for interior and exterior applications.

The **ThermicRoll®** is very competitive and delivers superior performance in terms of speed, safety, and reliability. **ThermicRoll®** is offered with insulated, vision, and ventilated panels, or any multiple combinations of panels. With its extreme reliability and high cycle capability, the **ThermicRoll®** is an excellent investment providing low maintenance and operating costs.

The versatile layout, security, and variety of finishes mean the door may be used almost anywhere. It is highly suited for use on the exterior facade of commercial buildings, parking garages, and emergency response facilities.

FEATURES AND BENEFITS



FAST

- Smooth traffic flow
- Minimize energy losses



RELIABLE

- Minimize down-time
- Minimize maintenance



SUPERIOR PERIMETER SEAL

- Reduces air infiltration and exchange
- Easy to clean



SAFE

- Secure rigid door panels
- High wind resistance

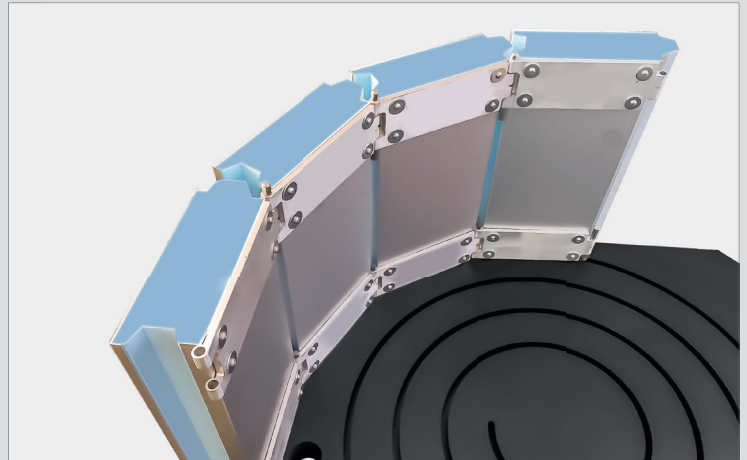


SLEEK DESIGN

- Aluminium finish
- Custom colors available
- Quiet

SPIRAL CONSTRUCTION

ThermicRoll® features a specially engineered spiraling head plate made of high density polyethylene. This innovative design enables the door to roll up smoothly, ensuring no contact occurs between the panels. As a result, the panels remain undamaged, while also requiring minimal built-in space.

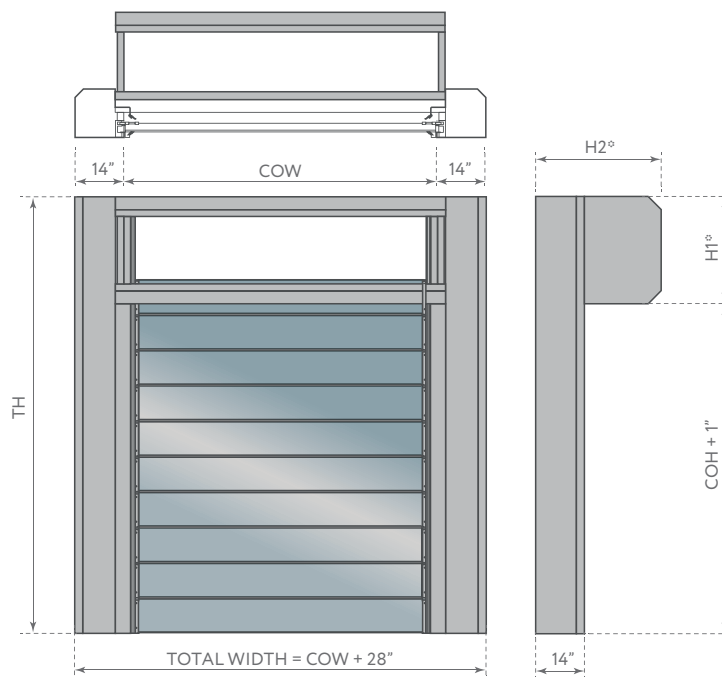
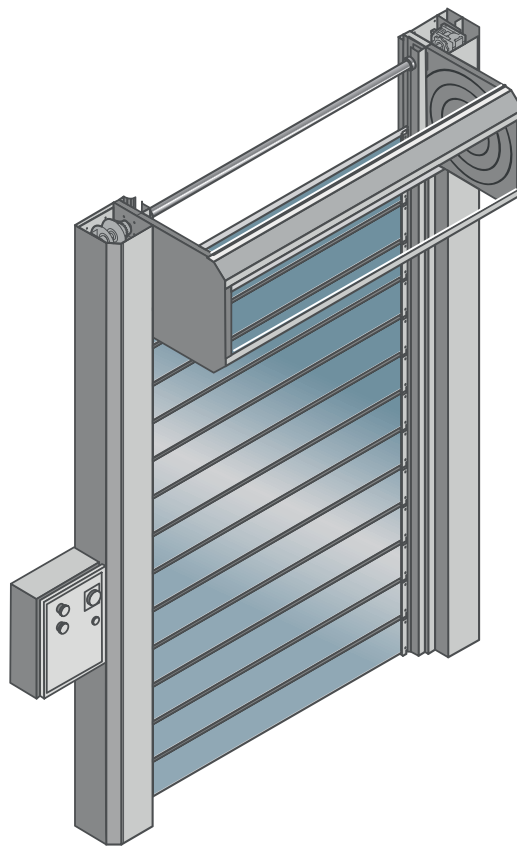


TECHNICAL DATA

APPLICATION	Internal and external
MAX DIMENSION [⊖]	W22'-11.5" x H 17'-0"
OPENING SPEED [⊖]	Up to 60 in/s
CLOSING SPEED [⊖]	Up to 20 in/s
THERMAL CONDUCTIVITY [⊖]	~ U = 1.3 W/m ² K (0.26 btu/hr-ft ² -f)
SOUND INSULATION STANDARD [⊖]	22 Db (Rw)
WIND LOAD [⊖]	DW <=14'-9" = Class 3 (700Pa/14.6psf) DW >14'-9" = Class 2 (450Pa/9.4psf) ^{⊖⊖} Class 4 on request, size dependent
STRUCTURE	STANDARD - Galvanized steel
	OPTIONAL - Steel powder-coated in RAL
DOOR BLADE 50MM	STANDARD INSULATED - Pre-painted aluminum RAL 9006
	OPTIONAL VISION - Extruded aluminum single panel
	VENTILATED - Extruded aluminum
SPIRAL - GUIDES	PATENTED design, in high density polyethylene PEHD 500
OPERATION	Double chain drive system - Push-Pull
TOP COVER	MANDATORY - Clear H < 98"
	OPTIONAL - Clear H > 98"
POWER SUPPLY	3 phase 208-230-460-575 VAC - 50/60Hz
CONTROL PANEL	UL508A, painted steel enclosure
POSITIONING	Absolute encoder
GEAR MOTOR	Direct drive, worm gear reduction and brake
MANUAL OPERATION IN CASE OF POWER FAILURE [⊖]	STANDARD - Single chain winch
SAFETY	Infrared light curtain (UL325:2012)
DURABILITY	1,000,000 cycles with periodic maintenance

[⊖] on the door blade, installed accessories and door dimensions.

DOOR SPACE REQUIREMENTS



[⊖] COH >= 96" to <=132 H1 = 29.5" / H2 = 31.5"
> 132" to <=180 H1 = 35.4" / H2 = 37.8"
>180" to <=240 H1 = 47.3" / H2 = 47.3"

OPTIONAL ACCESSORIES

RADAR



INFRARED RADAR
motion and presence
(pedestrian/forklift) radar



INFRARED RADAR
with cross-movement
adjustment

TRAFFIC LIGHTS

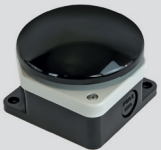


LED TRAFFIC LIGHT
red/green with countdown

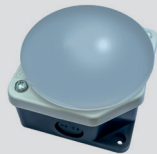


LED LIGHT BAR SYSTEM
with red moving/green open

BUTTONS



MUSHROOM PUSH BUTTON
with IP65 housing



LED PUSH BUTTON
red/green

OTHER



REMOTE
CONTROL



MAGNETIC
LOOP
DETECTOR



PULL CORD
SWITCH



BOLLARD
B-PROTECT



BMP USA, LLC reserves the right to change the properties of its products or components without notice, subject to its policy of continuous product development. The doors shown are example applications. No part or extract may be reproduced without our prior permission.



HIGH
SPEED
DOORS

4816 Zane A Miller Drive
Waynesboro, PA 17268 (USA)
tel: (800) 390-1086
www.bmpdoors.us