

# DynamicRoll® FOOD PE

For wash down applications  
and sanitation compliance



HIGH  
WASH  
DOORS



# DynamicRoll® FOOD PE

The DynamicRoll® **FOOD PE** is a self-repairing roll up door designed for environments where sanitation is the most important issue. Its high-density polyethylene (HDPE) frame is designed to be sanitized without removal or disassembly of any covers or other components. The curtain's zippers travel within the monolithic polyethylene guides, allowing the curtain to release from the guides in the event of impact and reinsert in one cycle.

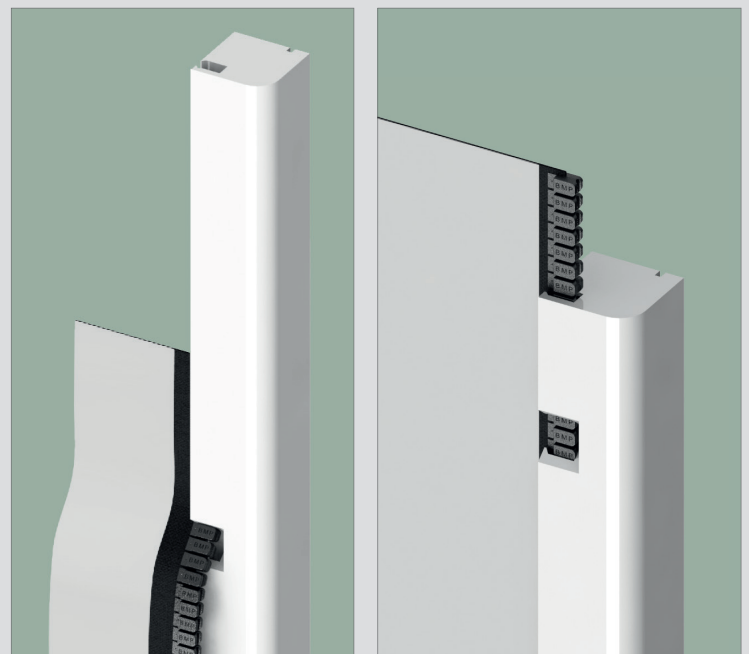
The design of the DynamicRoll® **FOOD PE** minimizes the need for costly stainless steel, provides superior corrosion resistance, and helps reduce the accumulation of dust, dirt, food residue, and other debris.

## APPLICATIONS



## SELF-REINSERTING GUIDE

The door features a patented system consisting of an articulating high-density polyethylene inner guide and reinsertion slots. The curtain's full length zipper profile is encapsulated in the guide profile. This design provides a superior seal, smooth operation, and eliminates the need for lubrication. The system allows the curtain to release from the inner guide and automatically reinsert itself in the event of an accidental impact, minimizing down-time and costly repairs.



## FEATURES AND BENEFITS



### FAST

- Smooth traffic flow
- Safe for users & goods



### RELIABLE

- Minimize down-time
- Minimize maintenance



### HDPE COMPONENTS

- Non-corrosive
- Superior chemical resistance



### SAFE

- No rigid elements
- Self-reinserting system



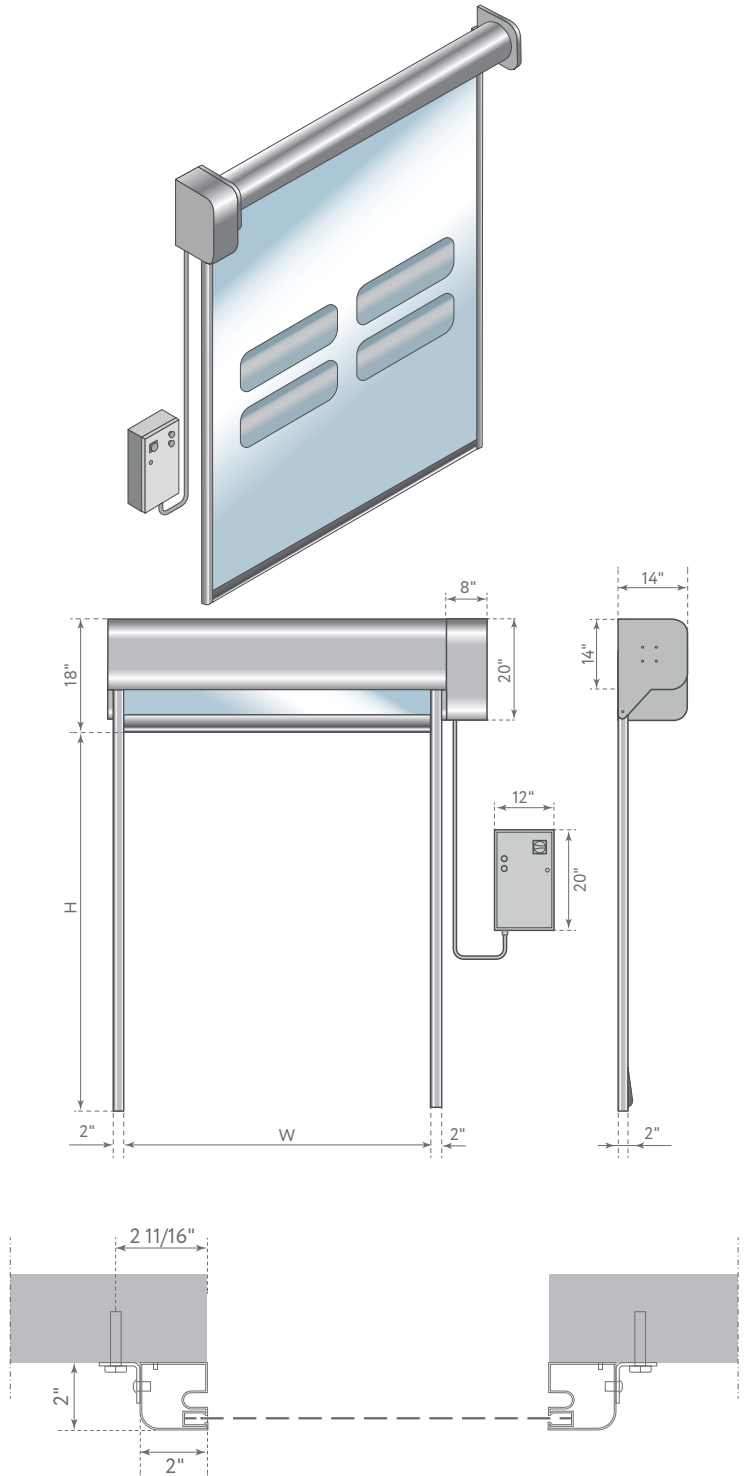
### WASH DOWN

- Ease of cleaning

## TECHNICAL DATA

<b>MAXIMUM DIMENSIONS</b>	W 14'-0" x H 12'-7"
<b>SPEED</b>	Max opening speed: up to 100 in/sec
	Closing speed: 30 in/sec
<b>CYCLES TEST</b>	1,000,000
<b>WIND RESISTANCE</b>	Class 0
<b>STRUCTURE</b>	Not self-supporting
<b>FRAME</b>	<b>STANDARD</b> - Polyethylene
<b>MOTOR COVER</b>	Stainless steel
<b>CURTAIN</b>	<b>STANDARD</b> - PVC curtain 27 oz/yd <sup>2</sup> , 6 W/m <sup>2</sup> K
<b>VERTICAL GUIDE MATERIAL</b>	Patented system composed of a high density polyzene self-lubricating guide and full-length zipper profiles on the curtains.
<b>CONTROL PANEL</b>	<b>STANDARD</b> - Composite control panel NEMA 4x
	<b>OPTIONAL</b> - Stainless Steel NEMA 4x
<b>WIRING</b>	Plug and play system IP65
<b>SAFETIES</b>	<b>STANDARD</b> - Photocell set - Unroll sensor
<b>EMERGENCY OPENING</b>	<b>STANDARD</b> - Hand crank
	<b>OPTIONAL</b> - UPS battery
<b>OPERATING TEMPERATURE</b>	Not suggested for freezer applications. >32F (>0°C)

## DOOR SPACE REQUIREMENTS



## OPTIONAL ACCESSORIES

### RADAR



INFRARED RADAR  
motion and presence  
(pedestrian/forklift) radar



INFRARED RADAR  
with cross-movement  
adjustment

### TRAFFIC LIGHTS

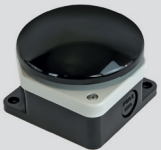


LED TRAFFIC LIGHT  
red/green with countdown

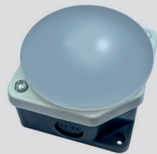


LED LIGHT BAR SYSTEM  
with red moving/green open

### BUTTONS



MUSHROOM PUSH BUTTON  
with IP65 housing



LED PUSH BUTTON  
red/green

### OTHER



REMOTE  
CONTROL



MAGNETIC  
LOOP  
DETECTOR



PULL CORD  
SWITCH



BOLLARD  
B-PROTECT

## CURTAIN MATERIAL DATASHEET



Scan the QR-codes to view or download datasheets

Technical information about  
standard pvc



Technical information about  
insulated pvc



Technical information about  
pvc windows



Technical information about  
FDA certificated pvc  
(Food Drug Administration)

## AVAILABLE CURTAIN COLORS

### STANDARD PVC



### INSULATED PVC



### FDA CERTIFIED PVC



BMP USA, LLC reserves the right to change the properties of its products or components without notice, subject to its policy of continuous product development. The doors shown are example applications. No part or extract may be reproduced without our prior permission.



HIGH  
SPEED  
DOORS

4816 Zane A Miller Drive  
Waynesboro, PA 17268 (USA)  
tel: (800) 390-1086  
[www.bmpdoors.us](http://www.bmpdoors.us)