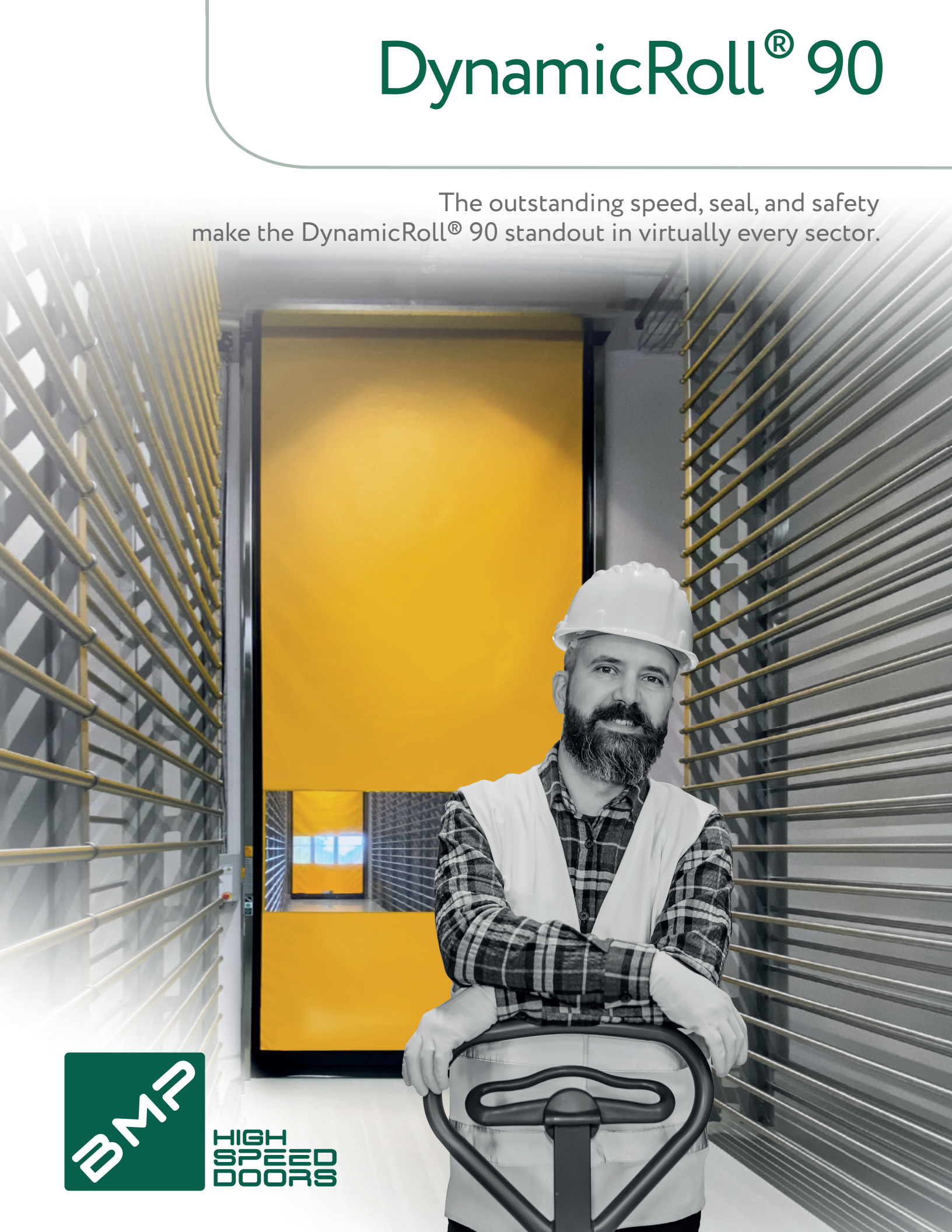


DynamicRoll® 90

The outstanding speed, seal, and safety make the DynamicRoll® 90 stand out in virtually every sector.



HIGH
SPEED
DOORS

DynamicRoll® 90

The **DynamicRoll® 90** is a self-reinserting and constructed of a reinforced 27oz/yd² pvc curtain material with flexible, weighted bottom edge. The soft bottom edge enhances safety for personnel and products, as there are no rigid elements to cause injury or damage. The superior quality and features meet the highest safety and performance standards for the most demanding environments.

APPLICATIONS



FEATURES AND BENEFITS

FAST



- Smooth traffic flow
- Reduces convection to minimize energy losses
- Safe for users & goods

RELIABLE



- Minimize down-time
- Minimize maintenance

SUPERIOR PERIMETER SEALING



- Reduces air infiltration and exchange
- Easy to clean

SAFE



- No rigid elements
- Self-reinserting system

HIGH PERFORMANCE



- Robust
- Quiet operation

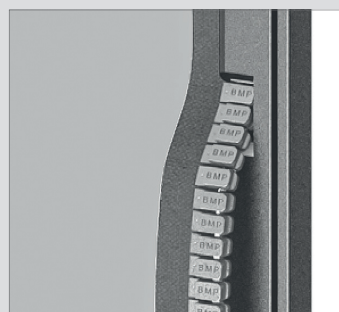


Scan this QR-code to view a video



SELF-REINSERTING GUIDE

The door features a patented system consisting of an articulating polyethylene inner guide and reinsertion slots. The curtain's full length zipper profile is encapsulated in the guide profile. This design provides a superior seal, smooth operation, and eliminates the need for lubrication. The system allows the curtain to release from the inner guide and automatically reinsert itself in the event of an accidental impact, minimizing down-time and costly repairs.

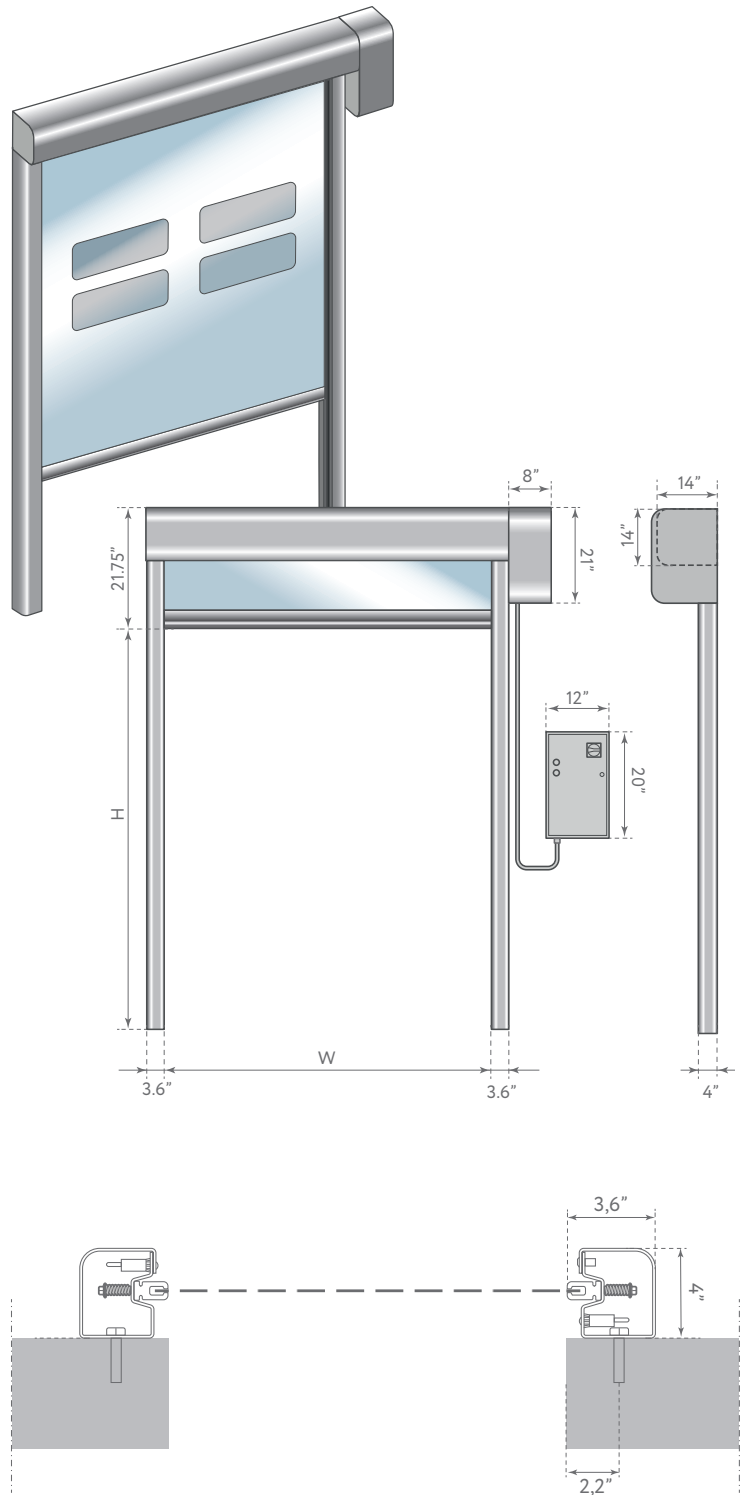


TECHNICAL DATA

MAXIMUM DIMENSIONS[°]	W 21'-4" x H 21'-4"
SPEED	Max opening speed: up to 100 in/s
	Closing speed: 32 in/s
CYCLES TEST	1.000.000
WIND RESISTANCE	9'-10" x 9'-10" Class 3 (700Pa/14.6psf)
	16'-5" x 16'-5" Class 2 (450Pa/9.4psf)
FRAME / MOTOR COVER HOOD	STANDARD - Galvanized steel
	OPTIONAL - Stainless steel 304, 316, and 441
CURTAIN	STANDARD - 27 oz/yd ²
	OPTIONAL - Insulated 1/4" (7mm) - FDA White (44 oz/yd ²)
VERTICAL GUIDE MATERIAL	Patented sliding system with high density polyzene self-lubricant equipped of sliding zipper directly on curtain
POWER SUPPLY	3 phase 208-230-460-575 VAC - 50/60Hz
MOTOR	Direct drive with worm gear reduction
SAFETIES	STANDARD - Photocells set IP65 - Anti-jam sensor reverse - WiFi safety edge IP65 - Wireless
	OPTIONAL - Multi ray light curtain, height 8.2ft IP67
EMERGENCY OPENING	STANDARD - Hand crank
	OPTIONAL - Chain system - Counterweight system - UPS battery
WORKING TEMPERATURE	Operating till -30°C [°] with heating kit added - Not apt to be installed in negative/positive temperature

[°] Larger dimensions require approval

DOOR SPACE REQUIREMENTS



DynamicRoll® 90

OPTIONAL ACCESSORIES

RADAR



INFRARED RADAR
motion and presence
(pedestrian/forklift) radar



INFRARED RADAR
with cross-movement
adjustment

TRAFFIC LIGHTS

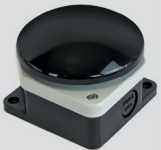


LED TRAFFIC LIGHT
red/green with countdown

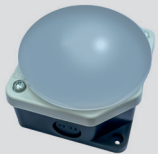


LED LIGHT BAR SYSTEM
with red moving/green open

BUTTONS



MUSHROOM PUSH BUTTON
with IP65 housing



LED PUSH BUTTON
red/green

OTHER



REMOTE
CONTROL



MAGNETIC
LOOP
DETECTOR



PULL CORD
SWITCH



BOLLARD
B-PROTECT

CURTAIN MATERIAL DATASHEET



Scan the QR-codes to view or download datasheets

Technical information about
standard pvc



Technical information about
insulated pvc



Technical information about
pvc windows



Technical information about
curtain soundproofing

AVAILABLE CURTAIN COLORS

STANDARD PVC



INSULATED PVC



FDA CERTIFIED PVC



BMP USA, LLC reserves the right to change the properties of its products or components without notice, subject to its policy of continuous product development. The doors shown are example applications. No part or extract may be reproduced without our prior permission.



HIGH
SPEED
DOORS

4816 Zane A Miller Drive
Waynesboro, PA 17268 (USA)
tel: (800) 390-1086
www.bmpdoors.us